

# New! IP SERIES - PUSHBUTTON SWITCHES FOR HARSH ENVIRONMENTS



## FEATURES

- Single pole NO momentary action with double break.
- Totally sealed compact construction.
- Ergonomically sculptured bezels with colorful actuator selections.
- Excellent tactile feedback with precise actuation

## ELECTRICAL AND GENERAL SPECIFICATIONS

<b>Contact ratings (resistive loads):</b>	500 mA at 48 VAC, 200 mA at 50 VDC or 200 mA at 250 VAC
<b>Initial contact resistance:</b>	50 milliohms maximum
<b>Insulation resistance:</b>	1 gigohm min. at 500 VDC
<b>Dielectric strength:</b>	1500 V rms min.
<b>Electrical life:</b>	500,000 cycles min. at full load
<b>Mechanical life:</b>	1,000,000 cycles min.
<b>Total Travel:</b>	.059" (1.5mm)
<b>Operating force:</b>	14 ±4 oz. (4±1 N)
<b>Contact bounce:</b>	1 millisecond

## ENVIRONMENTAL SPECIFICATIONS

<b>Degree of protection:</b>	IP 67
<b>Shock resistance:</b>	100g per IEC 512-4, test 6c
<b>Vibration resistance:</b>	10-500 Hz, 10g per IEC 512-4, test 6d
<b>Salt spray:</b>	Per IEC 512-6, test 11f
<b>Strength of mechanism:</b>	IK06 per EN 50101, 1 joule (1 Nm)
<b>Operating temperature range:</b>	-40°C to +125°C

## MATERIALS

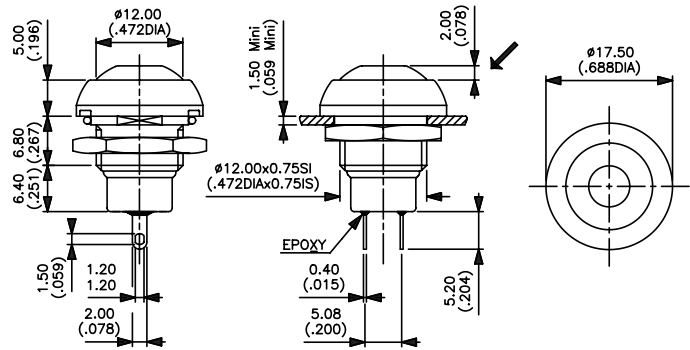
<b>Contacts :</b>	Gold plated silver
<b>Actuator:</b>	Polyamide 6/6
<b>Bushing/bezel:</b>	Zamac (with black finish on bezel)
<b>Case:</b>	PBT UL94V-0
<b>Wire leads (F models):</b>	Stranded, 20 AWG, UL approved
<b>Hardware:</b>	Supplied with 1 Hex Nut .629" (16mm) across flats and 1 'o'ring

# New! IP SERIES - PUSHBUTTON SWITCHES FOR HARSH ENVIRONMENTS

## Round - solder lug terminals



MODEL NO.	ACT. COLOR
IPR3SAD1	BLUE
IPR3SAD2	BLACK
IPR3SAD3	GREEN
IPR3SAD5	YELLOW
IPR3SAD6	RED
IPR3SAD7/1	WHITE
IPR3SAD9	ORANGE

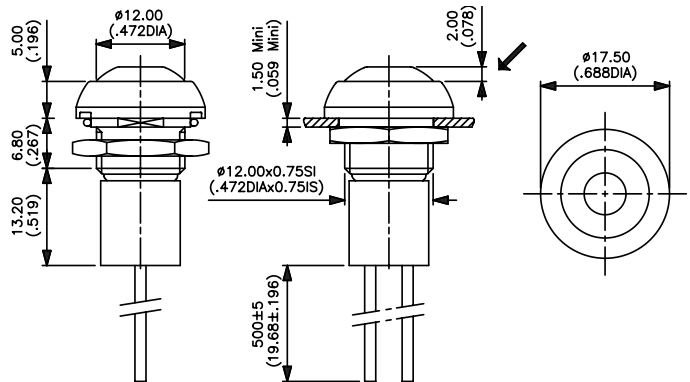


→ Flat

## Round - stranded 20 AWG wire leads



MODEL NO.	ACT. COLOR
IPR3FAD1	BLUE
IPR3FAD2	BLACK
IPR3FAD3	GREEN
IPR3FAD5	YELLOW
IPR3FAD6	RED
IPR3FAD7/1	WHITE
IPR3FAD9	ORANGE

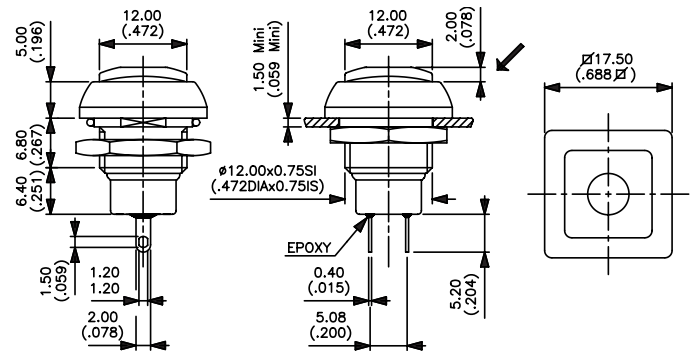


→ Flat

## Square - solder lug terminals



MODEL NO.	ACT. COLOR
IPC3SAD1	BLUE
IPC3SAD2	BLACK
IPC3SAD3	GREEN
IPC3SAD5	YELLOW
IPC3SAD6	RED
IPC3SAD7/1	WHITE
IPC3SAD9	ORANGE

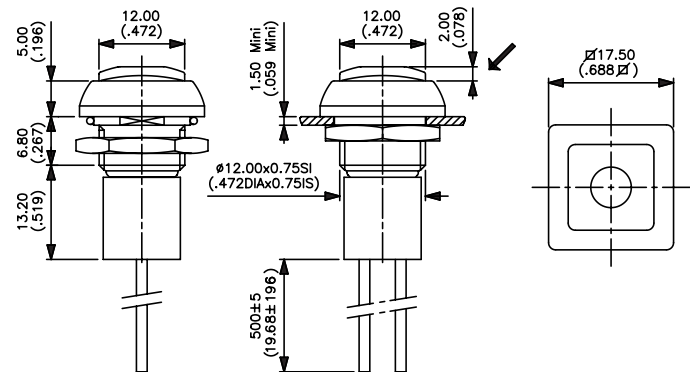


→ Flat

## Square - stranded 20 AWG wire leads



MODEL NO.	ACT. COLOR
IPC3FAD1	BLUE
IPC3FAD2	BLACK
IPC3FAD3	GREEN
IPC3FAD5	YELLOW
IPC3FAD6	RED
IPC3FAD7/1	WHITE
IPC3FAD9	ORANGE



→ Flat

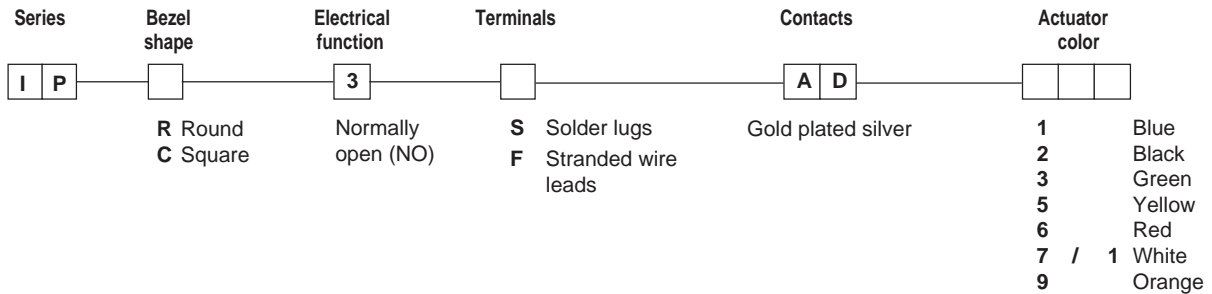
SPECIFICATIONS SUBJECT TO CHANGE WITHOUT NOTICE

# New! IP SERIES - PUSHBUTTON SWITCHES FOR HARSH ENVIRONMENTS

**Additional ordering information:** Commonly ordered models are shown on prior page with complete model numbers and specifications. Below is an order format that enables you to 'build your own switch' and specify the correct switch model number by simply selecting from all available options shown and filling in the boxes.

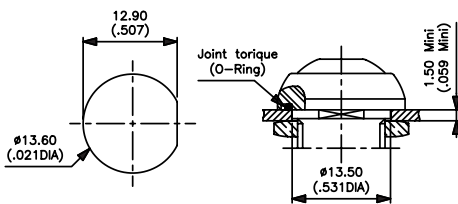
## 'BUILD YOUR OWN SWITCH' ORDER FORMAT

Fill in boxes with allowable options shown below each respective box.

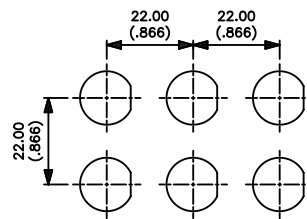


## MOUNTING

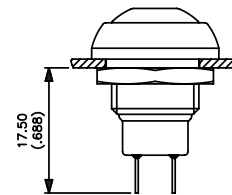
### Panel cut-out



### Matrix mounting

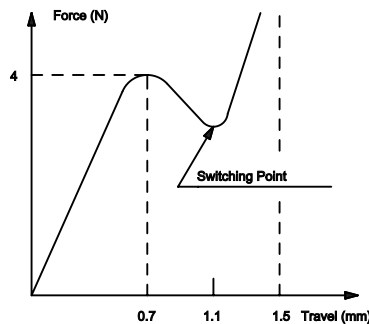


### Back of panel space requirement

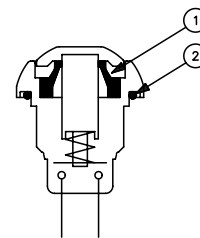


## TACTILE FEEDBACK

### Operating force vs. travel diagram



### Switch cross section



## SEALING

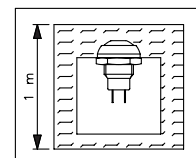
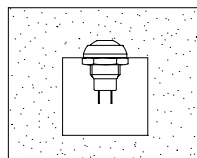
Per IP 67. Degree of protection provided by the enclosures of electric appliances according to IEC 529, DIN 40050 & NFC 20-010 shown below:

**IP**  
(ingress protection)

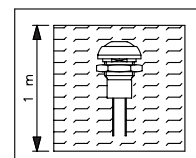
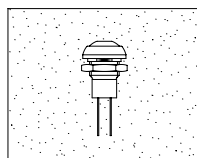
**6**  
Totally protected against dust

**7**  
Protected against the effects of immersion up to 1 meter of water (30 mins.)

**SOLDER LUG VERSION**



**WIRE LEADS VERSION**



SPECIFICATIONS SUBJECT TO CHANGE WITHOUT NOTICE

C