

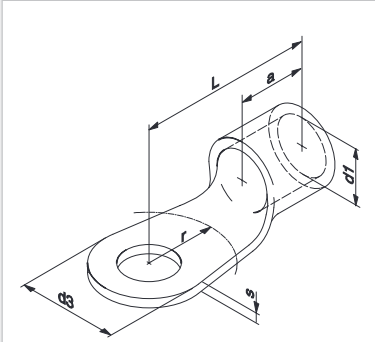
## Kabelschuhe

Lötfreie Kabelschuhe ohne Isolation

## Terminals

Solderless terminals, non insulated

| Bauform<br>Supply condition | Artikel-Nummer<br>Part number | DIN<br>46234 | Leiter-<br>querschnitt<br>Wire size<br>mm <sup>2</sup><br>AWG | Bolzen<br>Stud<br>M | Abmessungen mm<br>Dimensions mm |          |     |   |   |   | Verp.-Einh.<br>Stück<br>Standard<br>packing<br>Piece |
|-----------------------------|-------------------------------|--------------|---|---------------------|---------------------------------|----------|-----|---|---|---|--|
|                             |                               |              |   |                     | S                               | Ø<br>d 1 | d 3 | L | a | r |  |



|                      |   |         |      |     |      |      |      |     |      |      |
|----------------------|---|---------|------|-----|------|------|------|-----|------|------|
| RSQ 7180 A 2-0,5 *   | ● | 0,1-0,5 | 2,0  | 0,5 | 1,00 | 5,0  | 10,0 | 4,0 | 4,0  | 2000 |
| RSQ 7180 A 3-0,5     | ● | 26-22   | 3,0  | 0,5 | 1,00 | 5,0  | 10,0 | 4,0 | 4,5  | 2000 |
| RSQ 7181 A 3,5-0,5 * | ● |         | 3,5  | 0,5 | 1,00 | 6,0  | 12,0 | 4,0 | 4,5  | 2000 |
| RSQ 7182 A 5-0,5     | ● |         | 5,0  | 0,5 | 1,00 | 8,0  | 12,0 | 4,0 | 6,5  | 2000 |
| RSQ 7103 A 2,5-1 *   | ● | 0,5-1   | 2,5  | 0,8 | 1,60 | 6,0  | 11,0 | 5,0 | 4,0  | 2000 |
| RSQ 7103 A 3-1       | ● | 20-18   | 3,0  | 0,8 | 1,60 | 6,0  | 11,0 | 5,0 | 4,5  | 2000 |
| RSQ 7103 A 3,5-1     | ● |         | 3,5  | 0,8 | 1,60 | 6,0  | 11,0 | 5,0 | 4,5  | 2000 |
| RSQ 7104 A 4-1       | ● |         | 4,0  | 0,8 | 1,60 | 8,0  | 12,0 | 5,0 | 6,0  | 2000 |
| RSQ 7104 A 5-1       | ● |         | 5,0  | 0,8 | 1,60 | 8,0  | 12,0 | 5,0 | 6,0  | 2000 |
| RSQ 7105 A 5-1       | ● |         | 5,0  | 0,8 | 1,60 | 10,0 | 13,0 | 5,0 | 6,5  | 2000 |
| RSQ 7105 A 6-1       | ● |         | 6,0  | 0,8 | 1,60 | 10,0 | 13,0 | 5,0 | 6,5  | 2000 |
| RSQ 7158 A 6-1       | ● |         | 6,0  | 0,8 | 1,60 | 11,0 | 15,0 | 5,0 | 7,5  | 1000 |
| RSQ 7158 A 8-1       | ● |         | 8,0  | 0,8 | 1,60 | 12,0 | 17,0 | 5,0 | 7,5  | 1000 |
| RSQ 7159 A 3-2,5 *   | ● | >1-2,5  | 3,0  | 0,8 | 2,30 | 6,0  | 11,0 | 5,0 | 4,5  | 2000 |
| RSQ 7159 A 3,5-2,5   | ● | 16-14   | 3,5  | 0,8 | 2,30 | 6,0  | 11,0 | 5,0 | 4,5  | 2000 |
| RSQ 7160 A 3,5-2,5 * | ● |         | 3,5  | 0,8 | 2,30 | 6,8  | 11,0 | 5,0 | 4,5  | 2000 |
| RSQ 7108 A 4-2,5     | ● |         | 4,0  | 0,8 | 2,30 | 8,0  | 12,0 | 5,0 | 6,0  | 2000 |
| RSQ 7108 A 5-2,5     | ● |         | 5,0  | 0,8 | 2,30 | 8,0  | 12,0 | 5,0 | 6,0  | 2000 |
| RSQ 7109 A 5-2,5     | ● |         | 5,0  | 0,8 | 2,30 | 10,0 | 14,0 | 5,0 | 6,5  | 2000 |
| RSQ 7222 A 5-2,5 *   | ● |         | 5,0  | 0,8 | 2,30 | 9,5  | 12,0 | 5,0 | 6,5  | 2000 |
| RSQ 7109 A 6-2,5     | ● |         | 6,0  | 0,8 | 2,30 | 10,0 | 14,0 | 5,0 | 7,5  | 2000 |
| RSQ 7110 A 6-2,5     | ● |         | 6,0  | 0,8 | 2,30 | 11,0 | 16,0 | 5,0 | 7,5  | 2000 |
| RSQ 7162 A 8-2,5     | ● |         | 8,0  | 0,8 | 2,30 | 14,0 | 17,0 | 5,0 | 10,0 | 2000 |
| RSQ 7151 A 10-2,5    | ● |         | 10,0 | 0,8 | 2,30 | 18,0 | 20,0 | 5,0 | 12,0 | 1000 |
| RSQ 7151 A 12-2,5    | ● |         | 12,0 | 0,8 | 2,30 | 18,0 | 20,0 | 5,0 | 12,0 | 1000 |
| RSQ 7155 A 4-6       | ● | >2,5-6  | 4,0  | 1,0 | 3,60 | 8,0  | 14,0 | 6,0 | 6,0  | 1000 |
| RSQ 7112 A 5-6       | ● | 12-10   | 5,0  | 1,0 | 3,60 | 10,0 | 15,0 | 6,0 | 6,5  | 1000 |
| RSQ 7114 A 6-6       | ● |         | 6,0  | 1,0 | 3,60 | 11,0 | 16,0 | 6,0 | 7,5  | 1000 |
| RSQ 7115 A 8-6       | ● |         | 8,0  | 1,0 | 3,60 | 14,0 | 19,0 | 6,0 | 10,0 | 1000 |
| RSQ 7117 A 10-6      | ● |         | 10,0 | 1,0 | 3,60 | 18,0 | 21,0 | 6,0 | 12,0 | 1000 |
| RSQ 7117 A 12-6      | ● |         | 12,0 | 1,0 | 3,60 | 18,0 | 21,0 | 6,0 | 12,0 | 1000 |
| RSQ 7119 A 4-10      | ● | >6-10   | 4,0  | 1,1 | 4,50 | 10,0 | 16,0 | 8,0 | 6,5  | 1000 |
| RSQ 7119 A 5-10      | ● | 8       | 5,0  | 1,1 | 4,50 | 10,0 | 16,0 | 8,0 | 6,5  | 1000 |
| RSQ 7120 A 6-10      | ● |         | 6,0  | 1,1 | 4,50 | 11,0 | 17,0 | 8,0 | 7,5  | 1000 |
| RSQ 7121 A 8-10      | ● |         | 8,0  | 1,1 | 4,50 | 14,0 | 20,0 | 8,0 | 10,0 | 500  |
| RSQ 7122 A 10-10     | ● |         | 10,0 | 1,1 | 4,50 | 18,0 | 21,0 | 8,0 | 12,0 | 500  |
| RSQ 7123 A 12-10     | ● |         | 12,0 | 1,1 | 4,50 | 22,0 | 23,0 | 8,0 | 13,0 | 500  |
| RSQ 7213 A 12-10 *   | ● |         | 12,0 | 1,2 | 4,50 | 31,7 | 34,0 | 8,5 | 18,0 | 500  |

Material: Cu, galv. verzinkt  
Material: copper, electro-tinned

\* auf Anfrage  
\* on request