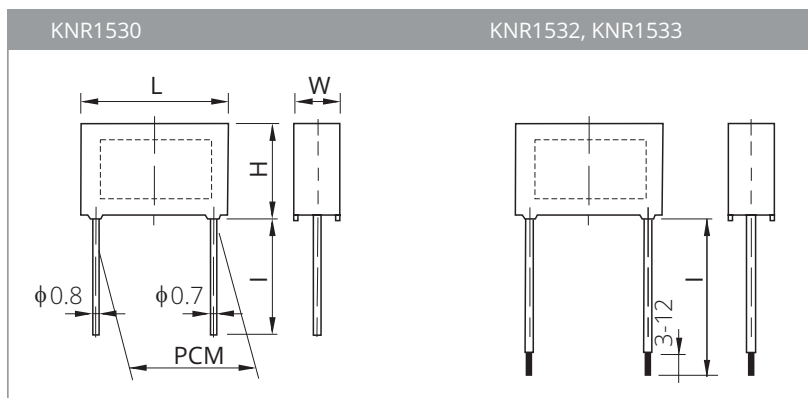
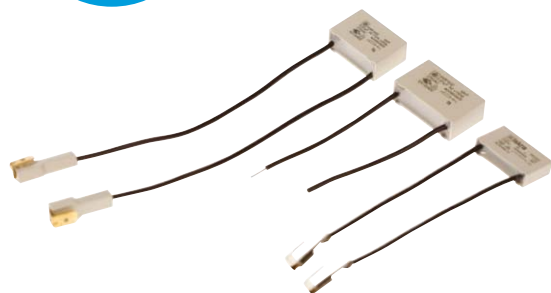


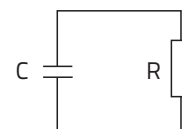
CAPACITORS

TYPE KNR1530, KNR1532, KNR1533

CLASS X2
RC UNITS
275 V AC



ELECTRICAL CONNECTION



TECHNICAL DATA


■ CONSTRUCTION: - CAPACITOR - RESISTOR	POLYPROPYLENE FILM, METALLIZED CARBON FILM OR WIRE-WOUND
■ RATED VOLTAGE	275 V AC
■ CAPACITANCE TOLERANCE	± 20 % FOR $C \leq 0.1 \mu\text{F}$ ± 10 % FOR $C > 0.1 \mu\text{F}$ OTHER ON REQUEST
■ CLIMATIC CATEGORY	40/100/56 ACC. TO IEC 60068-1
■ PASSIVE FLAMMABILITY	ACC. TO IEC 60384-14
■ TEMPERATURE RANGE	-40 ° to +85 °C
■ TEST VOLTAGE	1700 V DC, 2 s
■ INSULATION RESISTANCE AT 20 °C, $U_m = 100 \text{ V DC}, t = 1 \text{ min}$	$R_i \geq 15000 \text{ M}\Omega$ FOR $C \leq 0.33 \mu\text{F}$ $R_i \times C_n \geq 5000 \text{ s}$ FOR $C > 0.33 \mu\text{F}$
■ RESISTANCE TOLERANCE	± 10 %
■ RESISTOR POWER	0.5 W
■ SOLDERING	IEC 60068-2-20, MAX. 2 s
■ RESISTANCE TO SOLDERING HEAT	IEC 60068-2-20, 260 °C ± 5 °C, 10 s ± 1 s
■ COMPLIES TO	IEC 60384-14
■ APPLICATION	CONTACT PROTECTION, INTERFERENCE SUPPRESSION, TRANSIENT SUPPRESSION

CAPACITORS

TYPE KNR1530, KNR1532, KNR1533

CASING: THERMOPLASTIC SEALED WITH SYNTHETICAL RESIN	THERMOPLASTIC MATERIAL IS SELF-EXTINGUISHING ACCORDING TO UL 94. CLASS V-0.	
TERMINALS		
TYPE	TERMINAL LENGHT	TYPE OF TERMINALS
KNR1530	3 ^{+0.5} , 4 ^{+0.5} , 6 ⁻¹ , 9 ⁻¹ , 15 ⁺² , 20 ⁺² , 25 ⁺⁵ , 30 ⁺⁵ , 50 ⁺⁵ mm, OTHER ON REQUEST	TINNED COPPER WIRE
KNR1532	20 TO 200 mm	INSULATED STRANDED WIRE 0.5 mm ²
KNR1533	20 TO 200 mm	INSULATED STRANDED WIRE 0.8 mm ² . END TERMINALS ON REQUEST

STANDARD VALUES KNR1530, KNR1532, KNR1533, 275 V AC, CLASS X2

CAPACITANCE C (μF)	RESISTANCE R (Ω)	DIMENSIONS					
		L (mm)	H (mm)	W (mm)	PCM (mm)		
0.01	2.2 TO 470	21	16.5	8	17.5	●	
0.01		27	15	8	22.5	●	
0.015		21	16.5	8	17.5	●	
0.015		27	15	6	22.5	●	
0.022		21	16.5	8	17.5	●	
0.022		27	15	6	22.5	●	
0.033		21	16.5	8	17.5	●	
0.033		27	15	6	22.5	●	
0.047		21	16.5	8	17.5	●	
0.047		27	15	6	22.5	●	
0.068		21	16.5	8	17.5	●	
0.068		27	15	6	22.5	●	
0.1		21	16.5	8	17.5	●	
0.1		27	16.5	7	22.5	●	
0.15		27	17	8.5	22.5	●	
0.15		30	18	8	25	●	
0.22		27	19	10.5	22.5	●	
0.22		30	18	8	25	●	
0.27		2.2 TO 330	32	19	10	27.5	●
0.33		2.2 TO 220	32	19	10	27.5	●
0.47	32		20	11	27.5	●	

RESISTANCE VALUES ACCORDING TO IEC 60063 RANGE E12.

● APPROVALS IN USE