

IEC Plug E, Cord Connector (Rewireable), Straight

**Description**

Screwing cable terminal,
- 1 Function:

- Pin temperature 70 °C, Protection class I, Cable
- Note: cable guard has to be ordered separately, mating cable guards please find under accessories

Approvals

- ENEC File Number: 2149383
- CSA File Number: 27324

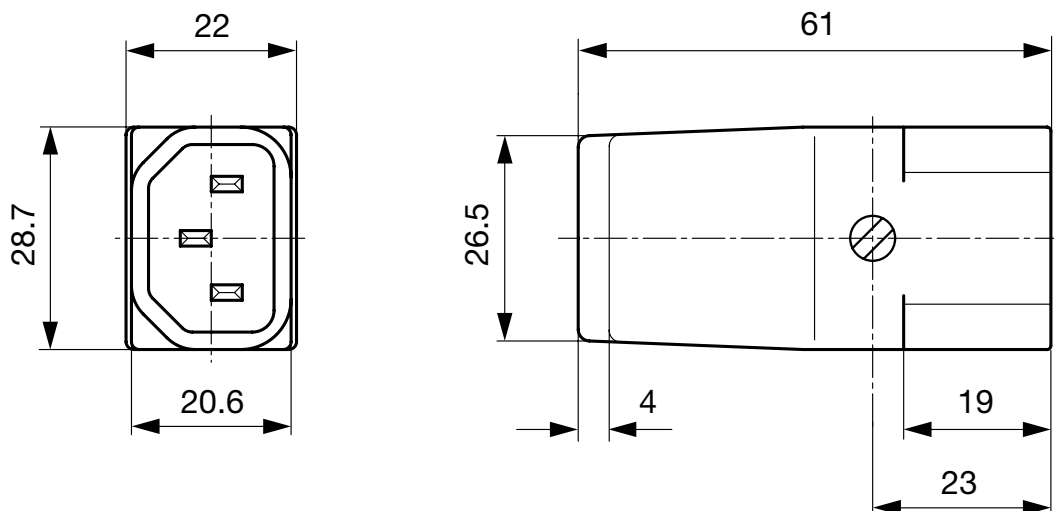
Weblinks

[pdf-datasheet](#), [html-datasheet](#), [General Product Information](#), [Approvals](#), [CE declaration of conformity](#), [RoHS](#), [CHINA-RoHS](#), [Mating Connectors](#), [e-Shop](#), [SCHURTER-Stock-Check](#), [Distributor-Stock-Check](#), [CAD-Drawings](#), [Accessories](#), [Mounting instruction](#), [Detailed request for product](#)

Technical Data

Ratings IEC	10A / 250VAC; 50Hz
Ratings UL/CSA	15A / 250VAC; 60Hz
Dielectric Strength	> 4 kVAC between L-N > 2 kVAC between L/N-PE (1 min/50Hz)
Allowable Operation Temp.	-25 °C to 70 °C
Degree of Protection	from front side IP 20 acc. to IEC 60529
Protection Class	Suitable for appliances with protection class I acc. to IEC 61140
Terminal	Screw clamps
Material: Housing	PA6, black / grey / white, UL 94V-0

Plug	E acc. to IEC 60320 UL 498, CSA C22.2 no. 42 (for cold conditions) pin-temperature 70 °C, 10A, Protection Class I
------	--

Dimensions

Config. Code

9009-Old - H - A B C 0- D - E J

The characters are placeholders for the correspondingly keys of selections from the key tables.

9009-Old - **H** - A B C 0- D - E J = Type

Type	Configuration key
protection class 1	X

9009-Old - H - **A** B C 0- D - E J = Terminals

Terminal L	Configuration key
screw terminal	A
special terminal	Z

9009-Old - H - A **B** C 0- D - E J = Terminals

Terminal N	Configuration key
screw terminal	A
special terminal	Z

Symbols similar as in table A

9009-Old - H - A B **C** 0- D - E J = Terminals

Terminal Ground	Configuration key
screw terminal	A
special terminal	Z

Symbols similar as in table A

9009-Old - H - A B C 0- **D** - E J = Color

Color	Configuration key
Black	A
Grey	B
White	D

9009-Old - H - A B C 0- D - **E** J = Style

Style	Configuration key
for cord assembly	8

9009-Old - H - A B C 0- D - E **J** = Condition

Condition	Configuration key
assembled	1
disassembled	2

Variants

Config. Code	Description	Order Number
9009-X-AAA0-A-81	9009, IEC Plug, E, 70°C, version: 1, L: screw terminal, N: screw terminal, ground: screw terminal, color: Black, design: for cord assembly, condition:assembled	4310.0033
9009-X-AAA0-B-81	9009, IEC Plug, E, 70°C, version: 1, L: screw terminal, N: screw terminal, ground: screw terminal, color: Grey, design: for cord assembly, condition:assembled	4310.0034

The listed variants should be available from stock Other versions on request www.schurter.com/contact

Max. torque for screws: Terminals: 0.8 Nm, Cable clamps: 0.8 Nm, Cover: 0.8 Nm

Packaging unit 50 Pcs

Mating Outlets/Connectors

Category / Description

[Appliance Outlet Overview complete](#)



IEC Appliance Outlet F, Screw-on Mounting, Front Side, Solder Terminal	4787
IEC Appliance Outlet F, Snap-in Mounting, Front Side, Solder or Quick-connect Terminal	4788
IEC Appliance Outlet F, Screw-on Mounting, Front Side, Solder or Quick-connect Terminal	6600-3
IEC Appliance Outlet F, Snap-in Mounting, Front Side, Solder or Quick-connect Terminal	6600-4

[Appliance Outlet further types to 9009-Old](#)



Appliance Outlet shuttered Overview complete

IEC Appliance Outlet F Shuttered, Screw-on Mounting, Front Side, Solder or Quick-connect Terminal	4721
IEC Appliance Outlet F Shuttered, Snap-in Mounting, Front Side, Solder or Quick-connect Terminal	4723

[Appliance Outlet shuttered further types to 9009-Old](#)

Connector Overview complete



IEC Connector C15, Rewireable, Straight	0101
IEC Connector C15A, Rewireable, Straight	0102
IEC Connector C15A, Rewireable, Straight	0102-G
IEC Connector C15A, Rewireable, Angled	0112
IEC Connector C13, Rewireable, Angled	4012

[Connector further types to 9009-Old](#)

Distribution Unit Overview complete



Distribution Unit for Snap-in Mounting with 1 IEC Appliance Inlet C14 and 1 Appliance Outlet F	0712
Strip Block for Snap-in Mounting with up to 7 IEC Appliance Outlets F	0909
Distribution Unit with 1 IEC Appliance Inlet C14 or Power Cord, 4 IEC Appliance Outlets F and Extra Components	4740
Distribution Unit with 1 IEC Appliance Inlet C14 and 2 Appliance Outlets F, Shuttered	4741
Distribution Unit with 1 IEC Appliance Inlet C14 and 4 Appliance Outlets F	4747

[Distribution Unit further types to 9009-Old](#)

Power Cord Overview complete



Power Cord with IEC Connector C13, Angled	0311
Power Cord with IEC Connector C13, Angled	3011
Power Cord with IEC Connector C13, Angled	3012
Power Cord with IEC Connector C13, Angled	3013
Power Cord with IEC Connector C13	3020

[Power Cord further types to 9009-Old](#)

Power Entry Module Overview complete



IEC Appliance Outlet F Shuttered with Fuseholder 1-pole	4719
IEC Appliance Inlet C14 with modular extended Components	Felcom 64
IEC Appliance Inlet C14 with Appliance Outlet F	KP (Outlet)
IEC Appliance Inlet C14 with Appliance Outlet F, Line Switch 2-pole and Voltage Selector	PMM

[Power Entry Module further types to 9009-Old](#)

Power Entry Module with line filter Overview complete



IEC Appliance Inlet C14 Modular Assembling Options	Felcom 54
--	-----------

[Power Entry Module with line filter further types to 9009-Old](#)